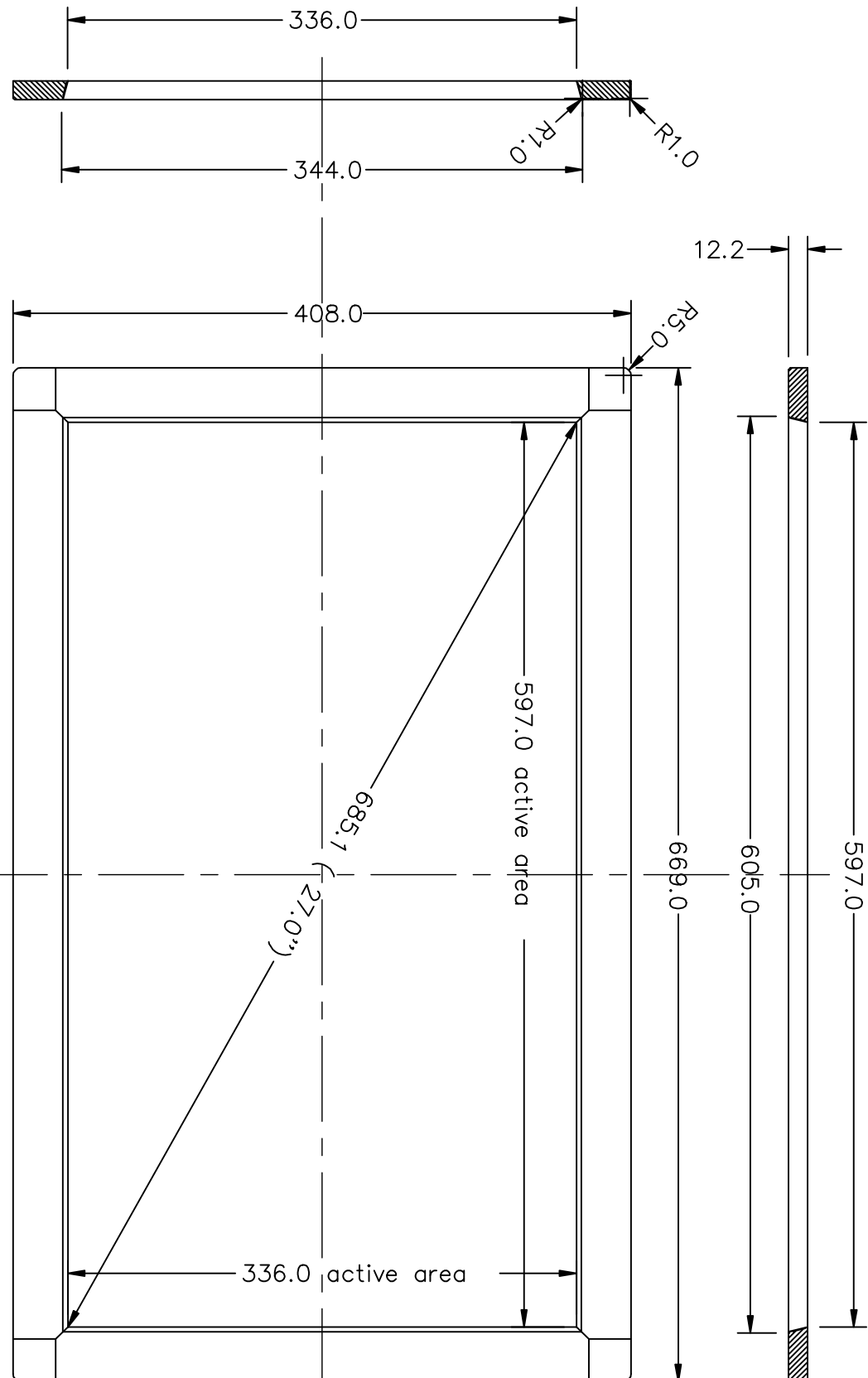


H G F E D C B A



Usb Connector Cable  
30 Centimetre

|                |                       |                                         |                     |             |       |           |            |
|----------------|-----------------------|-----------------------------------------|---------------------|-------------|-------|-----------|------------|
| <b>IRTOUCH</b> |                       | <b>BEIJING IRTOUCHSYSTEMS CO., LTD.</b> |                     | EXPLODE No: | Rev:  | B         | PROJECTION |
| MATERIAL:      | DO NOT SCALE DRAWING  | PART No:                                | L27                 |             |       |           |            |
| FINISH:        | ALL DIMENSIONS ARE MM | PART NAME:                              | TOUCHSCREEN FOR 27" | CHECKED:    | DATE: | APPROVED: | DATE:      |
| ACTION:        | DESIGNER: 蔡新宇         | DATE: 2007.09.03                        |                     |             |       |           |            |
|                | ANGULAR TOL: =±1.0'   |                                         |                     |             |       |           |            |
|                | LINEAR TOL: .X=±1.0   |                                         |                     |             |       |           |            |
|                | TOLEANCE:             |                                         |                     |             |       |           |            |
|                | SCALE: 1:1            |                                         |                     |             |       |           |            |
|                | SHEET 1 OF 1          |                                         |                     |             |       |           |            |
|                | A4                    |                                         |                     |             |       |           |            |